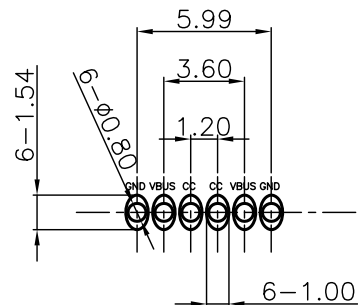
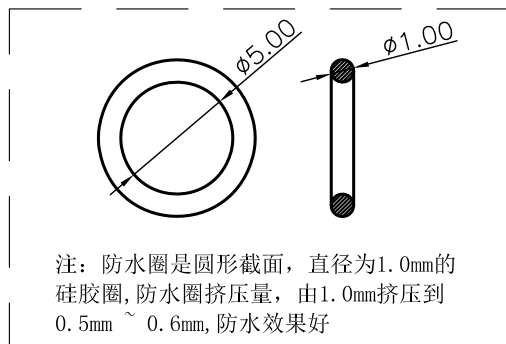
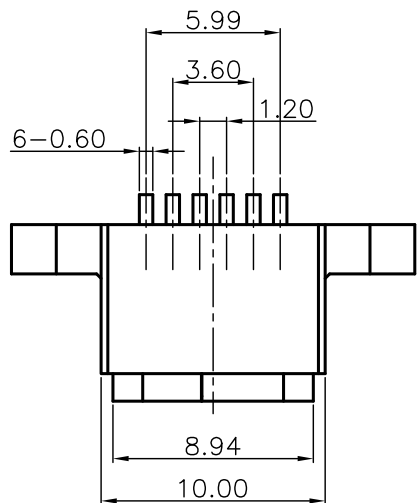


| REV. | ECN. NO. | APPD. |
|------|----------|-------|
| | | |



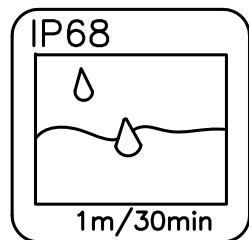
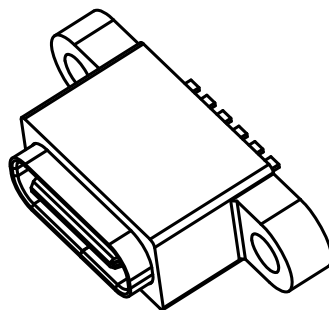
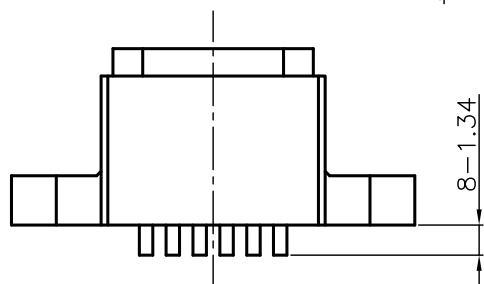
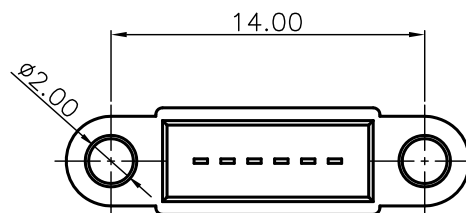
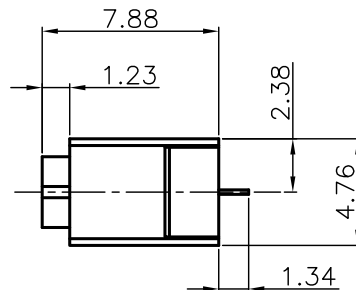
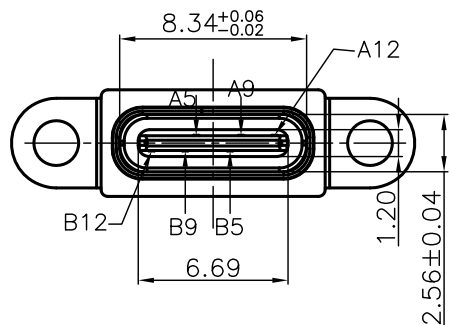
Recommended P.C.B. Layout
Unspecified tolerance: ± 0.05
(Top view)

SPECIFICATION:

- CURRENT RATING: 3.0A MAX
- DIELECTRIC WITHSTAND VOLTAGE: 100VAC
- TEMPERATURE RANGE: $-30^{\circ}\text{C} \sim 85^{\circ}\text{C}$
- CONTACT RESISTANCE: 40 MILLIONHM MAX
- INSULATION RESISTANCE: 100 MEGOHMS MIN.
- INSERTION FORCE : 5N~20N
- UNMATING FORCE: 8N~20N
- DURABILITY:5,000 CYCLES
- WATER PROOFNESS:THIS PRODUCT IS BASED ON IPX8.

结构设计注意:

1. 成品使用时，如有洗面奶泡沫、牙膏、洗手液、脏污液体，请在TYPE-C口外面再设计一层外壳，保护TYPE-C表面金手指不会被脏污覆盖。



| | | | |
|-----|-------------|-----|-------------|
| A5 | CC1 | B12 | GND |
| A9 | VBUS | B9 | VBUS |
| A12 | GND | B5 | CC2 |
| PIN | SIGNAL NAME | PIN | SIGNAL NAME |

| 5 | Shell2 | 1 | SUS301 Ni Plating T=0.20mm | Ni:40~120u"; |
|------|-----------|-------|--|--|
| 4 | Shell1 | 1 | SUS301 Ni Plating T=0.25mm | Ni:40~120u"; |
| 3 | Housing2 | 1 | PA10T(G.F30%) | |
| 2 | Contact | 5 | Phosphor bronze C5210R-EH Au/Ni Plating T=0.20mm | Ni:40~160u"; Au:CONTACT AREA:3u", OTHER AREA:G/F |
| 1 | Housing | 1 | PA10T (G.F30%) | |
| ITEM | PART NAME | Q' TY | FINISH | NOTE |

| | | | |
|----------|----|----------------------|---------------|
| UNITS | mm | | |
| MAT'L | / | | |
| FINISH | / | | |
| Q' TY | / | | |
| UNITS | | | 东莞市铭标电子科技有限公司 |
| mm | | | |
| PART NO. | | USBC-0038IPX8-00 | |
| TITLE: | | TYPE C 6Pin DIP Type | |
| DWG NO.: | | USBC-0038IPX8-00 | |
| SCALE | | SHEET | REV. |
| 1/1 | | 1/2 | A1 |

| | | | |
|------|------------|------|-------------------|
| X. | ± 0.50 | X.° | $\pm 2^{\circ}$ |
| .X | ± 0.30 | .X° | $\pm 1^{\circ}$ |
| .XX | ± 0.10 | .XX° | $\pm 0.5^{\circ}$ |
| .XXX | ± 0.05 | | |